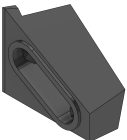

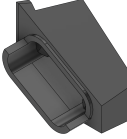
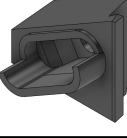


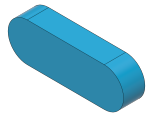


Legend	
	x1 SL3-03
	x1 SL3-04
	x1 SL3-05
	x1 SL3-06
	x2 SL3-02
	x1 SL3-01
	x4 SL3-07

SL-3 Installation Diagrams

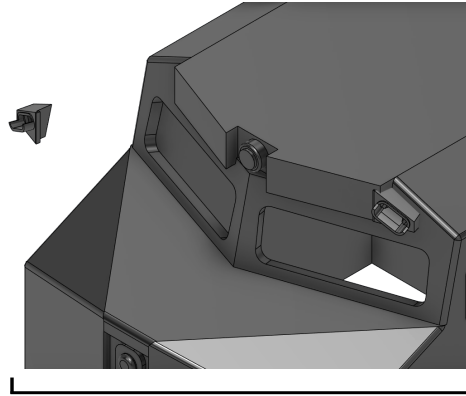


Figure 1

Installation of the strobe light housing

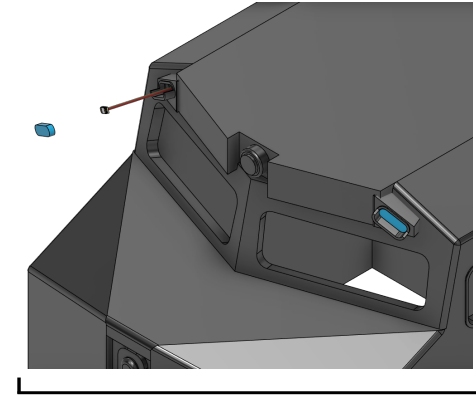


Figure 2

Installation of the LEDs and strobe light lenses

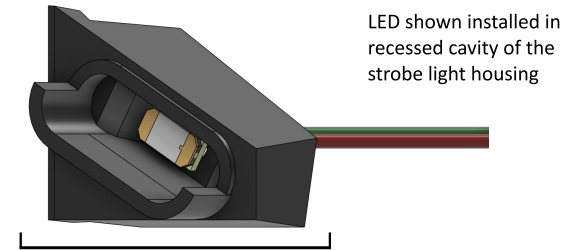
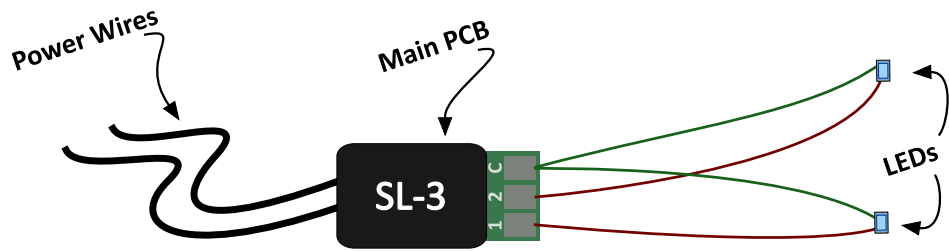
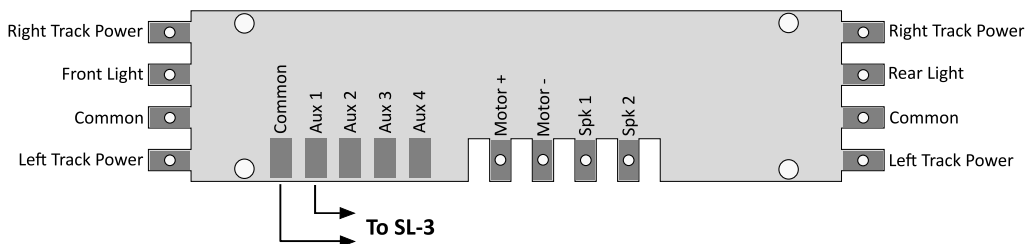


Figure 3

SL-3 Wire Hook-Up Examples

GENERIC DROP-IN DECODER Front - Top View



GENERIC HARDWIRE DECODER Front - Top View



There are several types of decoders available on the market, including "Hard Wire," "Factory Installed," "Drop-In," and "Plug and Play" to name a few. Each type has different methods for connecting your SL-3 to the various function/AUX outputs. Be sure to consult the appropriate decoder instructions for proper wiring. The SL-3 operates within a voltage range of 9 to 14 volts DC. If your decoder's function/AUX output includes current-limiting resistors for LEDs or lamps, you *MUST* bypass them. The SL-3 requires a full 12-volt DC from the decoder to function correctly. Alternatively, you can connect the SL-3 directly to the common (+) and the function/AUX output wires or solder pads, following the diagrams above and the instructions on the previous page.